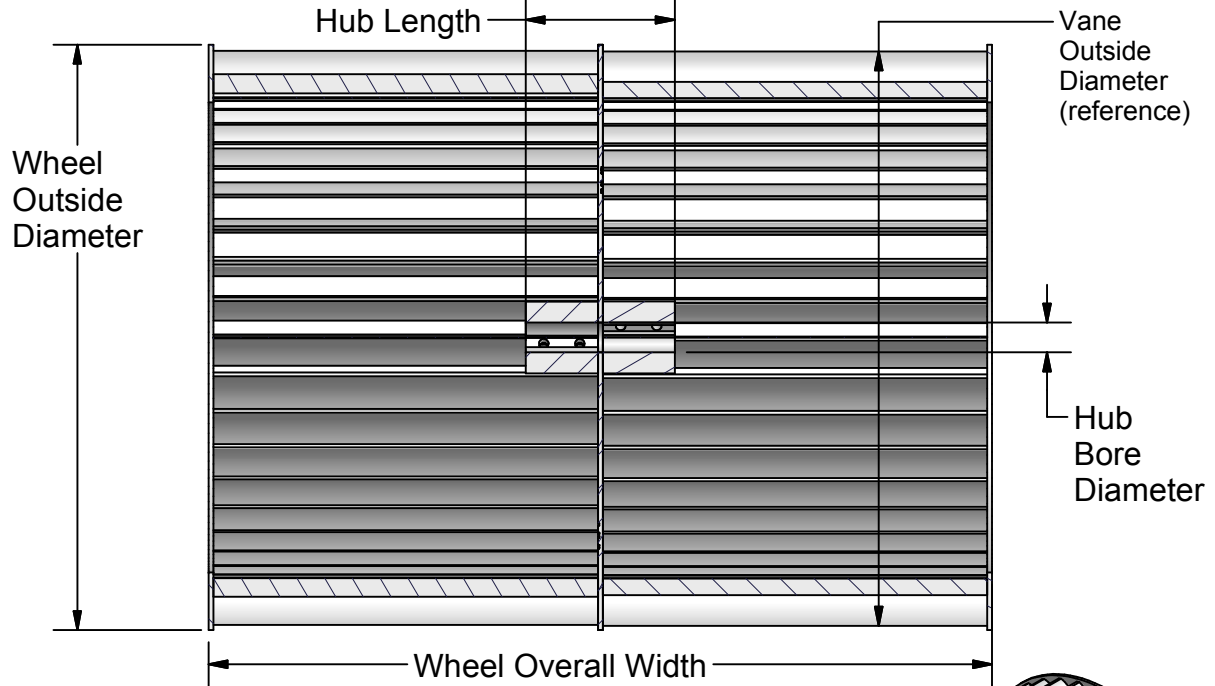
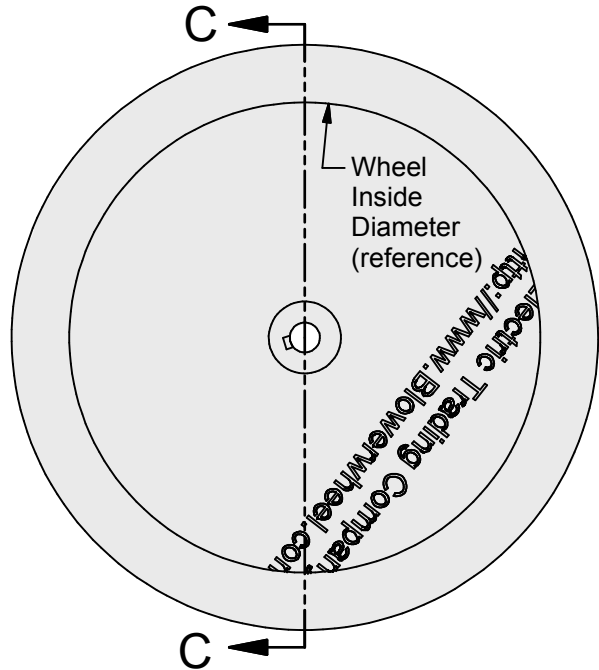


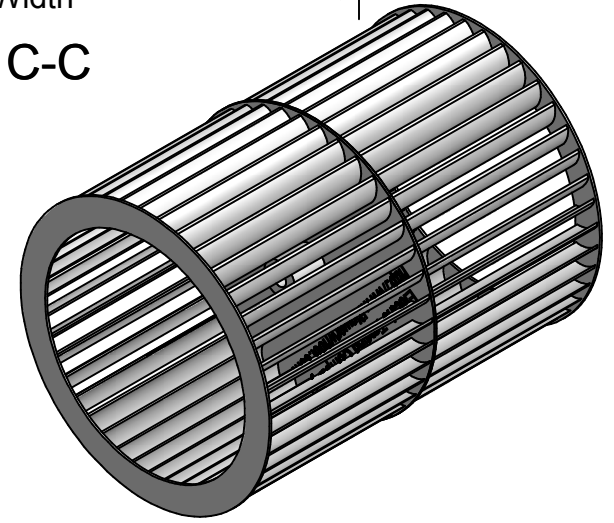
2



1



### SECTION C-C




#### Double Inlet Forward Curve Blower Wheel Centered w/Dual Hubs - Universal Rotation

Drawing Callout	Dimension / Specification
Wheel Outside Diameter	
Wheel Overall Width	
Hub Bore Diameter	
Wheel Material / Finish	
Hub Material / Finish	
Optional Specs / Items:	
Hub Length / Set Screw Qty	
Keyway (None,Std,Custom)	
Rings	
Rods	
Advanced RPM rating	
Customer Approval By:	

Notice: Unless Otherwise Specified - All Dimensions are in Inches & Standard Commercial Tolerances Apply

© Copyright Electric Trading Company 2018

	TITLE: <b>Double Inlet FC Blower Wheel</b>	
	DESCRIPTION: <b>Centered w/Dual Hubs - Universal Rotation</b>	
APPROVED BY:	SIZE	DWG / PART NUMBER / REVISION:
DATE:	A	
<b>DO NOT SCALE</b>		SHEET 1 OF 1

2



1