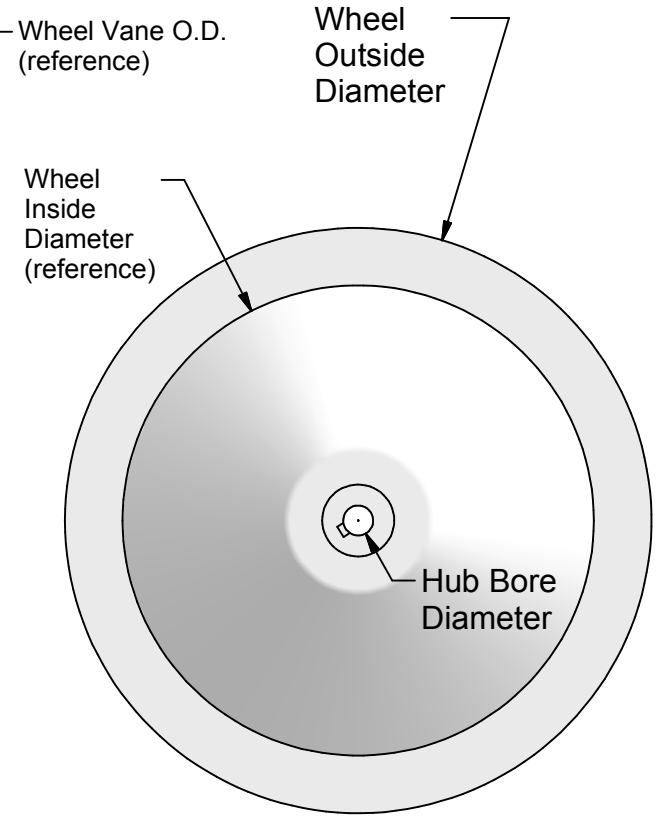
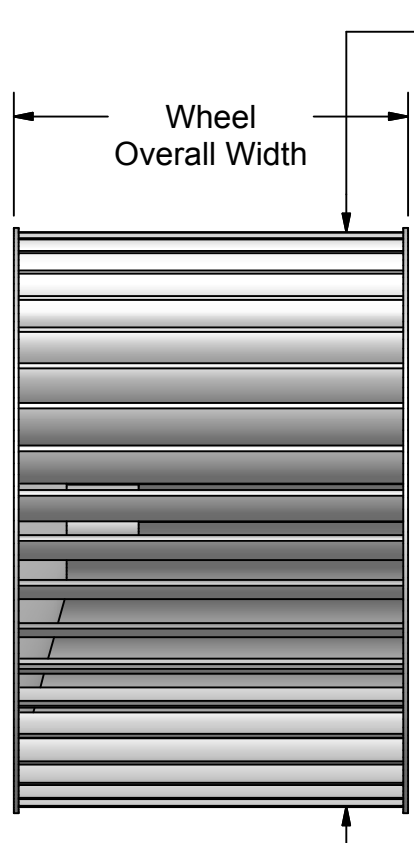


Counterclockwise Rotation
(as viewed from closed end)

Note: Keyways must be specified.
Specify either without one (none), with one per our standard keyway chart (std) or as custom



**Single Inlet Forward Curve Blower Wheel
Concave w/Inside Hub - Counterclockwise Rotation**

Drawing Callout	Dimension / Specification
Wheel Outside Diameter	
Wheel Overall Width	
Hub Bore Diameter	
Wheel Material / Finish	
Hub Material / Finish	
Optional Specs / Items:	
Hub Length / Set Screw Qty	
Keyway (None, Std, Custom)	
Rings	
Rods	
Advanced RPM rating	
Customer Approval By:	

Notice: Unless Otherwise Specified - All Dimensions are in Inches & Standard Commercial Tolerances Apply

© Copyright Electric Trading Company 2018



TITLE: **Single Inlet FC Blower Wheel**

DESCRIPTION: **Concave w/Inside Hub - Counterclockwise**

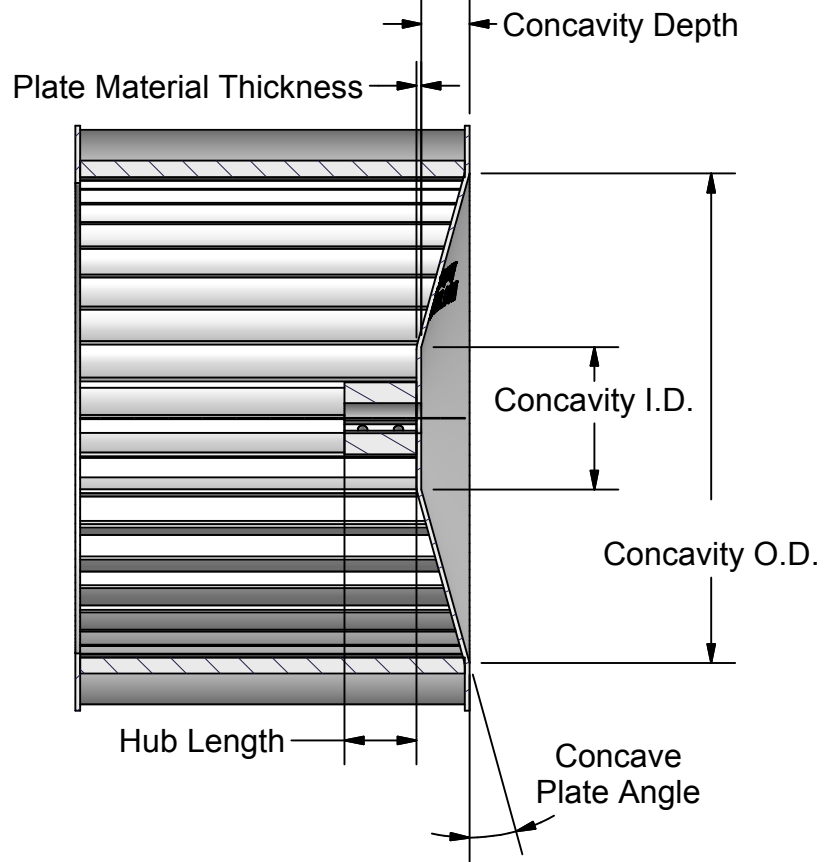
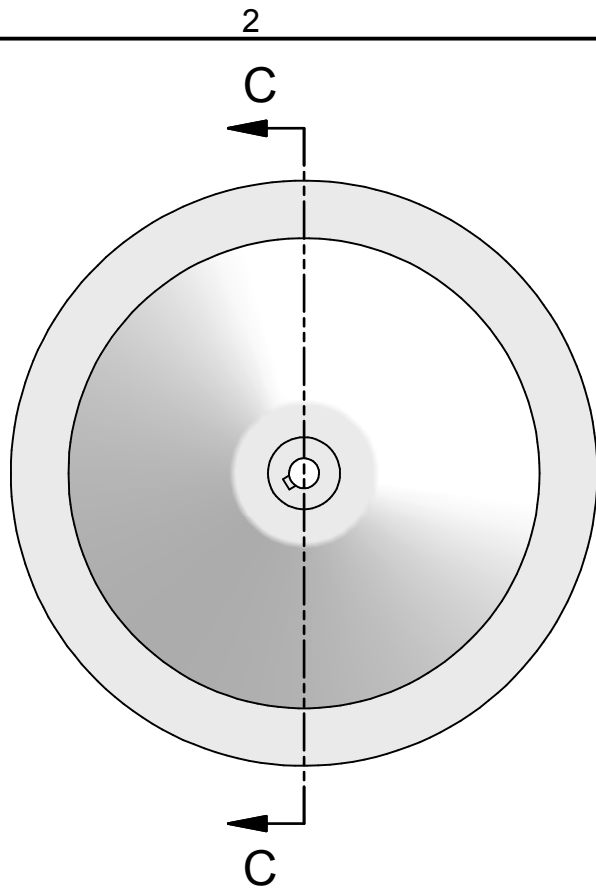
SIZE DWG / PART NUMBER / REVISION:
A

APPROVED BY:

DATE:

DO NOT SCALE

SHEET 1 OF 2




SECTION C-C

Note: Wheel Plate Concavity can be detailed as Concave Plate Angle or alternately detailed as a radius from concavity I.D. to concavity O.D.

Drawing Callout	Dimension / Specification
Concavity Depth	
Concavity O.D.	
Concavity I.D.	
Plate Material Thickness	
Concave Plate Angle or Concave Plate Radius	
Customer Approval By:	

Notice: Unless Otherwise Specified - All Dimensions are in Inches & Standard Commercial Tolerances Apply

© Copyright Electric Trading Company 2018

	TITLE: Single Inlet FC Blower Wheel	
	DESCRIPTION: Concave w/Inside Hub - Counterclockwise	
APPROVED BY:	SIZE DWG / PART NUMBER / REVISION: A	
DATE:	DO NOT SCALE	SHEET 2 OF 2