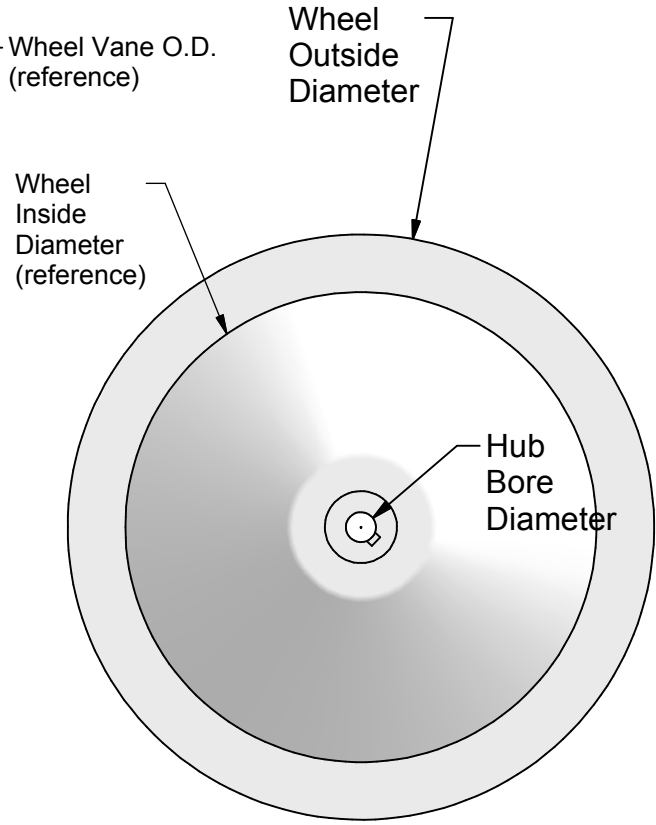
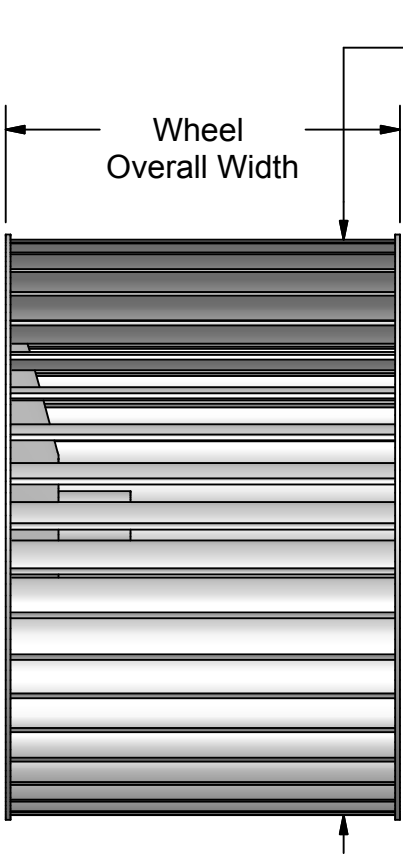


Clockwise Rotation  
(as viewed from closed end)

Note: Keyways must be specified.  
Specify either without one (none), with one per our standard keyway chart (std) or as custom



**Single Inlet Forward Curve Blower Wheel  
Concave w/Inside Hub - Clockwise Rotation**

Drawing Callout	Dimension / Specification
Wheel Outside Diameter	
Wheel Overall Width	
Hub Bore Diameter	
Wheel Material / Finish	
Hub Material / Finish	
Optional Specs / Items:	
Hub Length / Set Screw Qty	
Keyway (None,Std,Custom)	
Rings	
Rods	
Advanced RPM rating	
Customer Approval By:	

Notice: Unless Otherwise Specified - All Dimensions are in Inches & Standard Commercial Tolerances Apply

© Copyright Electric Trading Company 2018



TITLE: **Single Inlet FC Blower Wheel**

DESCRIPTION: **Concave w/Inside Hub - Clockwise**

SIZE DWG / PART NUMBER / REVISION:

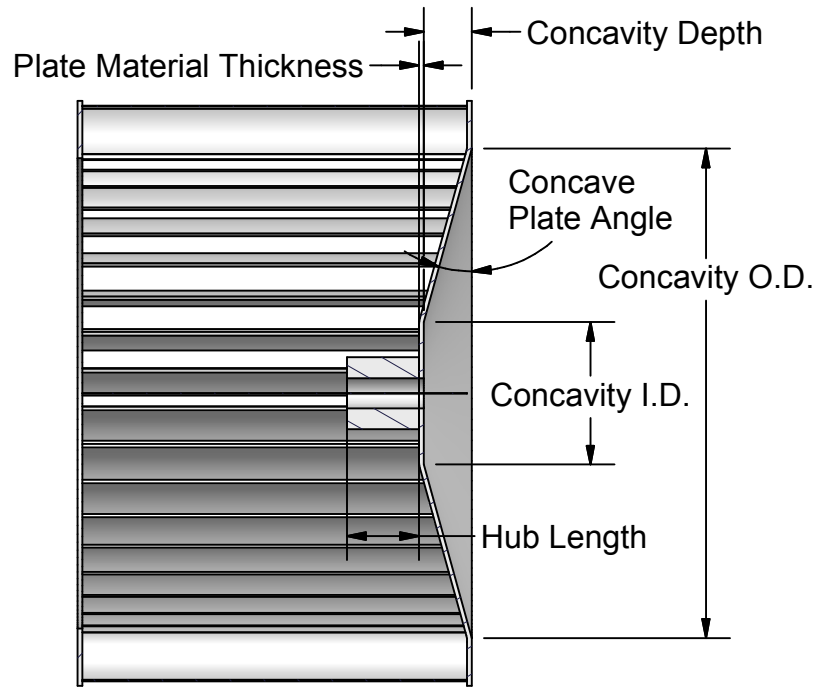
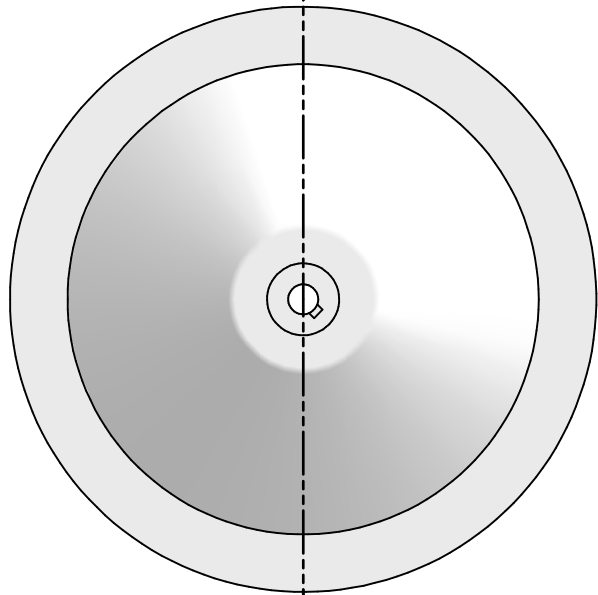
A

APPROVED BY:

DATE:

**DO NOT SCALE**

SHEET 1 OF 2




**SECTION B-B**

Note: Wheel Plate Concavity can be detailed as Concave Plate Angle or alternately detailed as a radius from concavity I.D. to concavity O.D.

Drawing Callout	Dimension / Specification
Concavity Depth	
Concavity O.D.	
Concavity I.D.	
Plate Material Thickness	
Concave Plate Angle or Concave Plate Radius	
Customer Approval By:	

Notice: Unless Otherwise Specified - All Dimensions are in Inches & Standard Commercial Tolerances Apply

© Copyright Electric Trading Company 2018

	TITLE: <b>Single Inlet FC Blower Wheel</b>	
	DESCRIPTION: <b>Concave w/Inside Hub - Clockwise</b>	
APPROVED BY:	SIZE	DWG / PART NUMBER / REVISION:
DATE:	<b>A</b>	
<b>DO NOT SCALE</b>		SHEET <b>2</b> OF <b>2</b>