

2

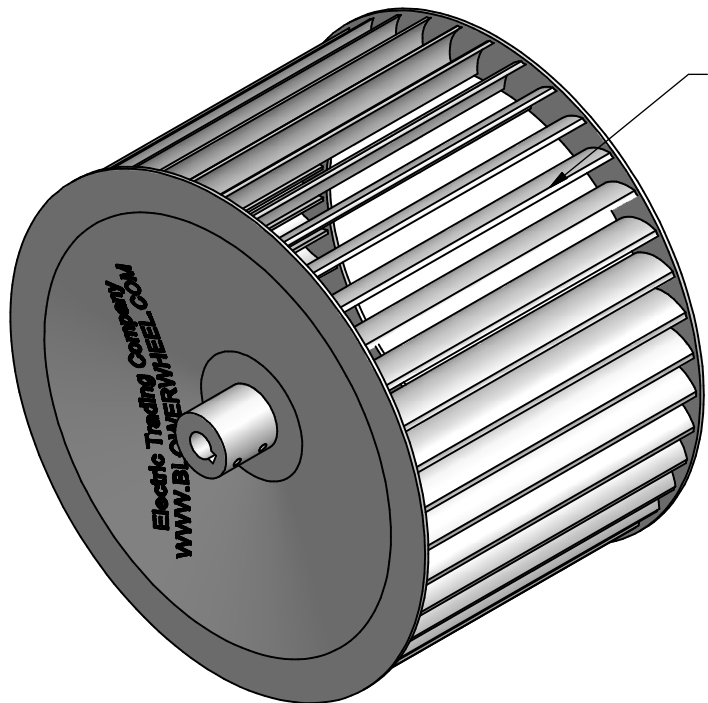


1

Clockwise Rotation  
(as viewed from closed end)

Note: Keyways must be specified.  
Specify either without one (none), with one per  
our standard keyway chart (std) or as custom

B



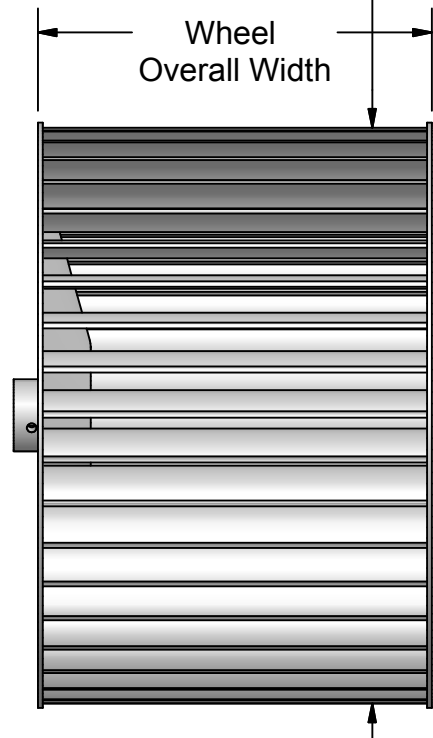
Wheel  
Overall Width

Wheel Vane O.D.  
(reference)

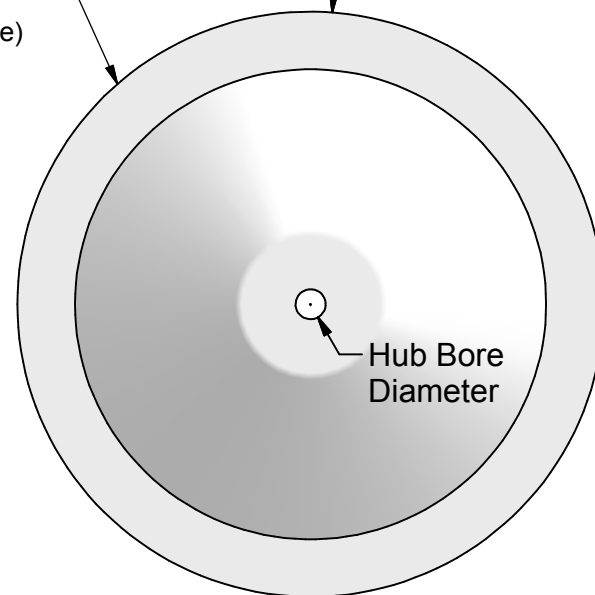
Wheel  
Outside  
Diameter

B

Wheel Inside  
Diameter  
(reference)



Hub Bore  
Diameter



Single Inlet Forward Curve Blower Wheel  
Concave w/Outside Hub - Clockwise Rotation

Drawing Callout	Dimension / Specification
Wheel Outside Diameter	
Wheel Overall Width	
Hub Bore Diameter	
Wheel Material / Finish	
Hub Material / Finish	
Optional Specs / Items:	
Hub Length / Set Screw Qty	
Keyway (None, Std, Custom)	
Rings	
Rods	
Advanced RPM rating	
Customer Approval By:	

Notice: Unless Otherwise Specified - All Dimensions are in  
Inches & Standard Commercial Tolerances Apply

© Copyright Electric Trading Company 2018



TITLE: Single Inlet FC Blower Wheel

DESCRIPTION: Concave w/Outside Hub - Clockwise

SIZE DWG / PART NUMBER / REVISION:

A

APPROVED BY:

DATE:

**DO NOT SCALE**

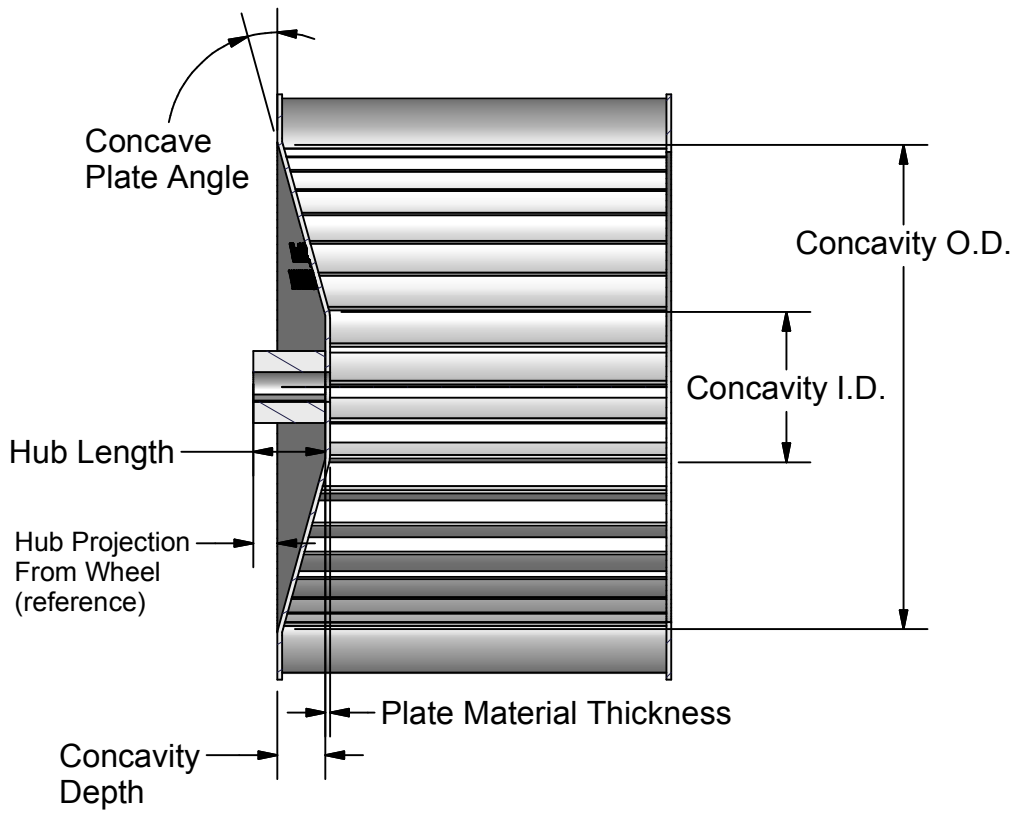
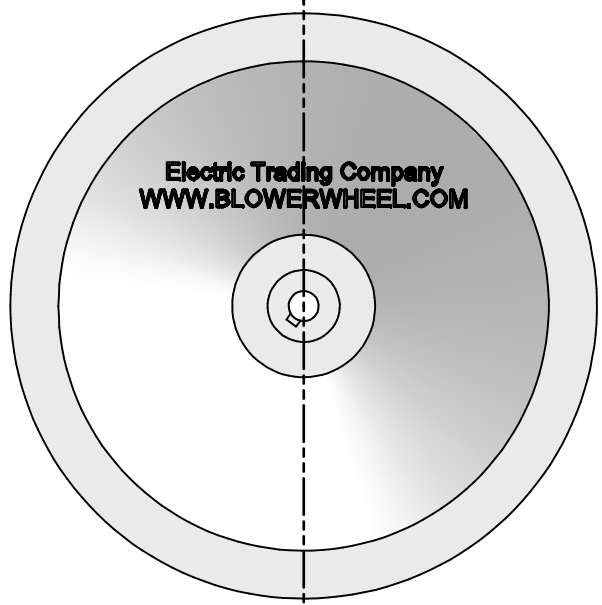
SHEET 1 OF 2

2



1

A




**SECTION B-B**

Note: Wheel Plate Concavity can be detailed as Concave Plate Angle or alternately detailed as a radius from concavity I.D. to concavity O.D.

Drawing Callout	Dimension / Specification
Concavity Depth	
Concavity O.D.	
Concavity I.D.	
Plate Material Thickness	
Concave Plate Angle	
or	
Concave Plate Radius	
Customer Approval By:	

Notice: Unless Otherwise Specified - All Dimensions are in Inches & Standard Commercial Tolerances Apply

© Copyright Electric Trading Company 2018

	<b>TITLE: Single Inlet FC Blower Wheel</b>	
	<b>DESCRIPTION: Concave w/Outside Hub - Clockwise</b>	
APPROVED BY:	SIZE DWG / PART NUMBER / REVISION:	A
DATE:	<b>DO NOT SCALE</b>	
	SHEET 2 OF 2	