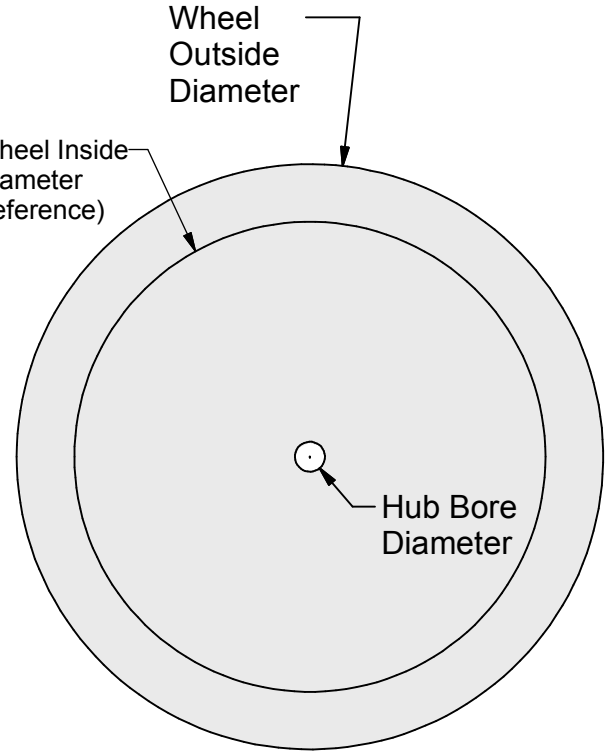
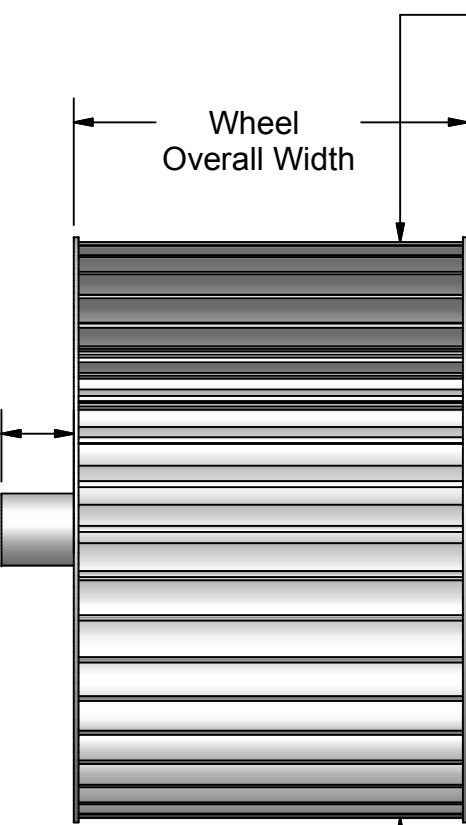


Clockwise Rotation
(as viewed from closed end)

Note: Keyways must be specified.
Specify either without one (none), with one per our standard keyway chart (std) or as custom




Single Inlet Forward Curve Blower Wheel
w/Outside Hub - Clockwise Rotation

Drawing Callout	Dimension / Specification
Wheel Outside Diameter	
Wheel Overall Width	
Hub Bore Diameter	
Wheel Material / Finish	
Hub Material / Finish	
Optional Specs / Items:	
Hub Length / Set Screw Qty	
Keyway (None,Std,Custom)	
Rings	
Rods	
Advanced RPM rating	
Customer Approval By:	

Notice: Unless Otherwise Specified - All Dimensions are in Inches & Standard Commercial Tolerances Apply

© Copyright Electric Trading Company 2018

	TITLE: Single Inlet FC Blower Wheel	
	DESCRIPTION: w/Outside Hub - Clockwise Rotation	
APPROVED BY:	SIZE	DWG / PART NUMBER / REVISION:
DATE:	A	DO NOT SCALE
		SHEET 1 OF 1